



OPERATOR'S HANDBOOK

UNI-JET 75 WITH BOX










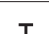

UNI-JET 75 WITH BOX

INDEX

General running data	2
General features.....	3
Installation	3
Signals and warnings.....	4
General warnings and biological risk.....	4
Important notices.....	5
Transport and storage	5
Transport of second-hand appliances.....	5
AC 13 electric diagram for single surgery.....	7

- *General running data
Dental Aspirator*

Model	Uni-Jet 75 with box and control panel
Rated voltage	230 V \sim \pm 5%
Rated frequency	50 Hz
Rated current	3,1 A
Insulation class	Class I
Type of appliance	B
Operating conditions	continuous operation
Protection against ingress of liquids	ordinary
Degree of protection against electric shock	type B 
The motor is protected by a thermal switch	
Output power	0,4 kW
Maximum flow	1250 l/min
Maximum head for continuous operation	1300 mm H ₂ O
Sound pressure level	58 dB(A)*
Other voltages available on request: 240 V \sim 50 Hz 2,95 A - 220 V \sim 60 Hz 3,5 A - 120 V \sim 60 Hz 6,0 A - 110 V \sim 60 Hz 7,0 A - 100 V \sim 60 Hz 7,0 A	
This appliance cannot work in the presence of an anaesthetic mixture flammable with air, oxygen or nitrous oxide	
A bacteriological filter is also available to filtrate the exhausted air	

	Alternating current	IEC 417-5032
	Earthing	IEC 417-5019
	Appliance Type B	IEC 878-02-02
	OPEN (disconnected from the main electrical supply)	IEC 417-5008
	CLOSED (connected to the main electrical supply)	IEC 417-5007
	Dangerous voltage	IEC 878-03-01

*Sound pressure level with canalized air tested according to the standard ISO 3746-1979 (E).
Parameters: r=1 - Background noise \leq 51 dB (A) - Instrument: Brüel & Kjær Type 2232.

Manufactured by CATTANI S.P.A. - PARMA - ITALY

- *General features*
- *Installation*

- **General features**

Uni-Jet 75 with box has been designed to be fitted to the dental unit. It is small in size, noiseless and designed for continuous operation.

- **Signals**

Install the appliance in a clean location, far from dust, heat sources and humidity.

In the plant room temperature can range from a minimum of + 5 °C to + 35 °C max.

The aspiration group cannot be used to aspirate nor liquids nor foam (not even in small quantity).

We suggest the aspirator should be installed in a room next to the surgery at a distance of 8 metres max.

In case it is installed outdoors we recommend to shelter it from rain and sunshine (do not install the machine in another box).

Uni-Jet 75 can be placed near the dental unit on the left end of the chair by the patient's feet (fig. A).

Installation must be carried out in conformity with CEI regulations on electromedical appliances; Uni-Jet 75 aspirators have been designed and manufactured according to the standard CEI 62-5.

Before connecting the aspirator to the mains, check the ratings and ascertain that the feeding line is suitable for the proper functioning of the appliance and that it is protected against overcurrent according to the standard CEI 64-8; the appliance must be protected against indirect contacts according to the standards CEI 64-8 and 64-4. Once installation has been completed, the unit can be switched on by selecting the position "ON" on the main switch (1) (fig. B) which will light up.

Lift one of the terminals from its seat to start the aspiration. With standard assembly, aspirated air is exhausted through the silencer (2).

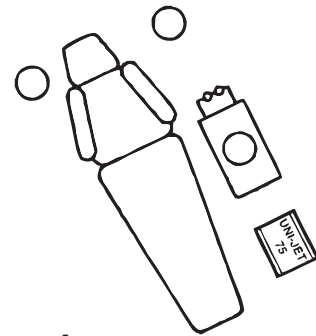


Figure A

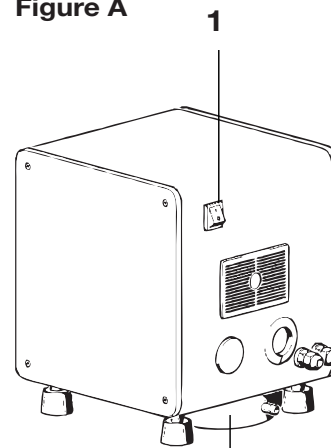


Figure B

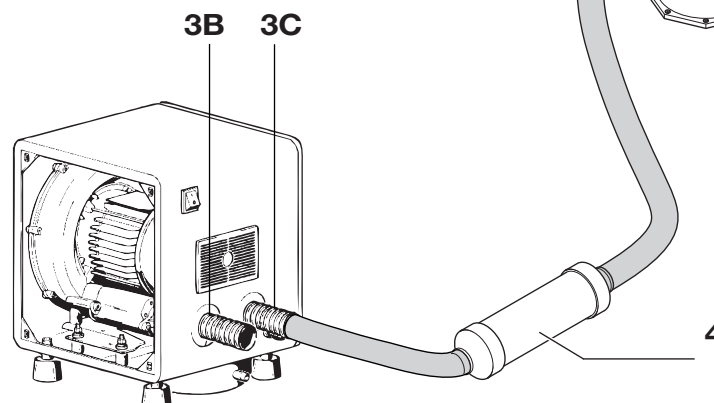
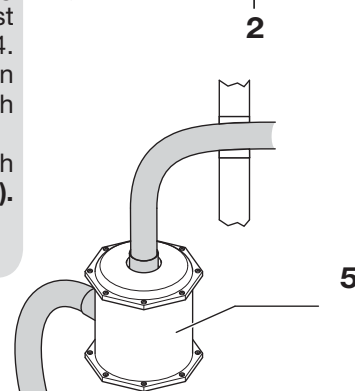


Figure C

- *Signals and warnings*
- *General warnings and biological risk*

Exhausted air is bacteria-contaminated. The use of Puli-Jet Plus New and antifoam tablets allows to lower the bacteria count but in any case it is advisable to install an antibacterial filter (5) and a supplementary silencer (4).

Before starting the motor, remove the packing which is inside the box.

- *Signals and warnings*

- Electrical shock risk: also 230 V \sim can be lethal.



- Biological danger, risk of infections from epidemic diseases.



- High temperature.



- General danger sign.



- Compulsory direction of flow and of rotation.



Warning signs cannot always fully express hazards, therefore it is necessary that the user reads the warnings and keeps them in due consideration.

Failure to observe the danger signs or warnings could result in serious injury to operators and patients.

Safety devices must not be removed. Appliances or their operation must never be modified.

Despite all efforts, it is possible that danger warnings may not cover all eventualities: we apologise to the users and kindly request them to care for all danger not identified and to inform us immediately.

- *General warnings and biological risk*

- **Before any maintenance operation, wear disposable gloves, goggles, mask and overalls. The aspirated liquid is infected and contaminating for epidemic diseases.**



Before commencing any servicing operation on appliances that have been used, disinfect the contaminated parts with Eco-Jet 1, Eco-Jet 2, Fast & Stelil 3 or some other suitable disinfectant.

Disconnect the machine from the mains and padlock the main switch, if present.

- *Important notices*
- *Transport and storage*
- *Transport of second-hand appliances*

Important notice

- We recommend that a technician in possession of original spare parts checks the machine periodically. In particular he should check the condenser efficiency, the bearings noise level, the degree of humidity in aspirated air and the electric isolation.
- The manufacturer is at customers' disposal to supply spare parts, literature, instructions and anything useful.
Distributors, agents, authorised retailers and technicians are in possession of split-up drawings, electric diagrams, instructions and updated information regarding assistance and maintenance.
- The appliance is guaranteed for one year from the date of sale, provided that the warranty slip is returned to the manufacturer with date of sale, retailer's and customer's name.
- Warranty and manufacturer's liability cease in case the appliances and/or plants are tampered with operations of any kind carried out by people who are not authorised by the manufacturer.
- For any use not considered or specified in this handbook please contact the manufacturer.
- The manufacturer reserves the right to modify the products for improvements, for technical, normative and functional reasons or for problems due to the availability of products or semi-finished products, without prior notice.

Transport and storage

- Packed appliances can be transported and stored at a temperature ranging from - 10 °C to + 60 °C max.
- Packages must be kept away from water and splashing and cannot tolerate humidity > 70%.
- Packages with the same weight can be stored in piles of three only.

Transport of second-hand appliances

- Before packing, cleanse and disinfect with Fast & Steril 3 (refer to the paragraphs "General warnings and biological risk" and "Important notices").
- Place the machine into a polyethylene bag, seal and pack it in 3-layer corrugated board.

ITALIAN PATENTS OR PATENT APPLICATIONS:

CATTANI: 1201707 - 1234828 - 1259318 - 1.187.187 - 1253460 - 233634 - 2337706
-1294904

ESAM: 1225173 - 1253783 - 0791751

FOREIGN PATENTS OR PATENT APPLICATIONS:

CATTANI: AU 546.143 - US 4,386,910 - US 4,787,846 - US 5,039,405 - US 5,002,486
AU 580839 - US 4,684,345 - US 5,330,641 - AT 0040181 - CH 0040181 - DE 0040181
FR 0040181 - GB 0040181 - LU 0040181 - SE 0040181 - CH 0211808 - DE 0211808
FR 0211808 - GB 0211808 - SE 0211808 - DE 0335061 - ES 0335061 - FR 0335061
GB 0335061 - AT 0557251 - DE 0557251 - ES 0557251 - FR 0557251 - GB 0557251
DE 0638295 - DK 0638295 - ES 0638295 - FR 0638295 - GB 0638295 - NL 0638295
SE 0638295 - US 6,083,306 - US 6,090,286 - US 6,022,216

ESAM: US 4,948,334 - DE 0351372 - ES 0351372 - FR 0351372 - GB 0351372
EP 0791751 - US 5,779,443 - CH 0791751 - DE 0791751 - ES 0791751 - FR 0791751
GB 0791751 - PT 0791751 - AU 93321 - ES 107358 - FR 222.394/395

PENDING PATENT

CATTANI: IT M098A000019 - IT M098A000119 - EP 99830010.7 - EP 99830011.5
EP 99830250.9 - EP 00830491.7 - IT M099A000165 - US 09/624,182



CATTANI

AIR TECHNOLOGY

6/A Via Natta. 43122 Parma, Italy
10°21'48" EST - 44°50'46" NORD

Ph. +39.0521.607604

Fax +39.0521.607628 (Sales Dept.)
Fax +39.0521.607855 (Purchasing Dept.)
Fax +39.0521.399966 (Accounting Dept.)

www.cattani.it - e-mail: info@cattani.it

Company with Quality System Certified according to
UNI EN ISO 9001:2008 - UNI EN ISO 13485:2012

